

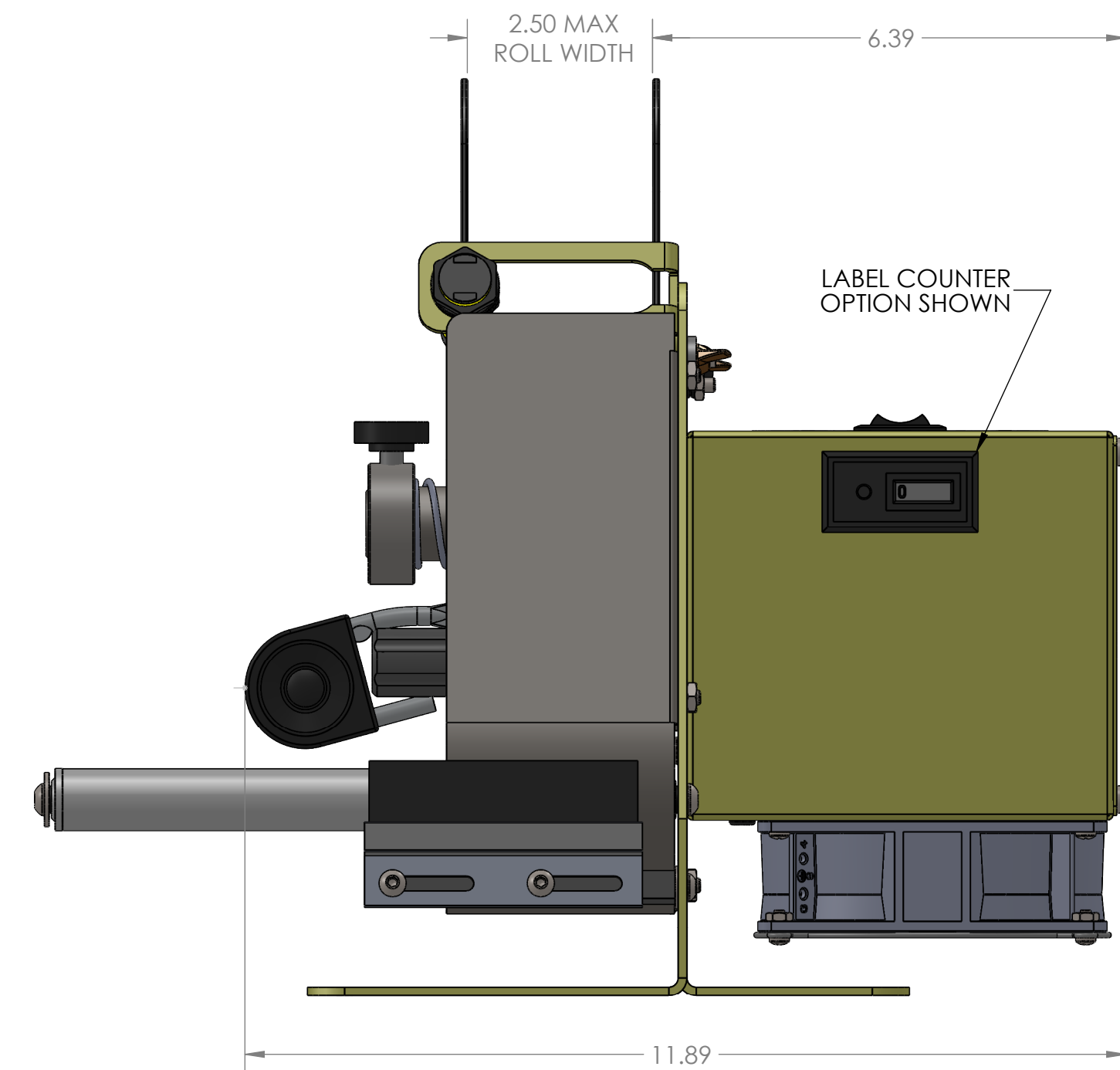
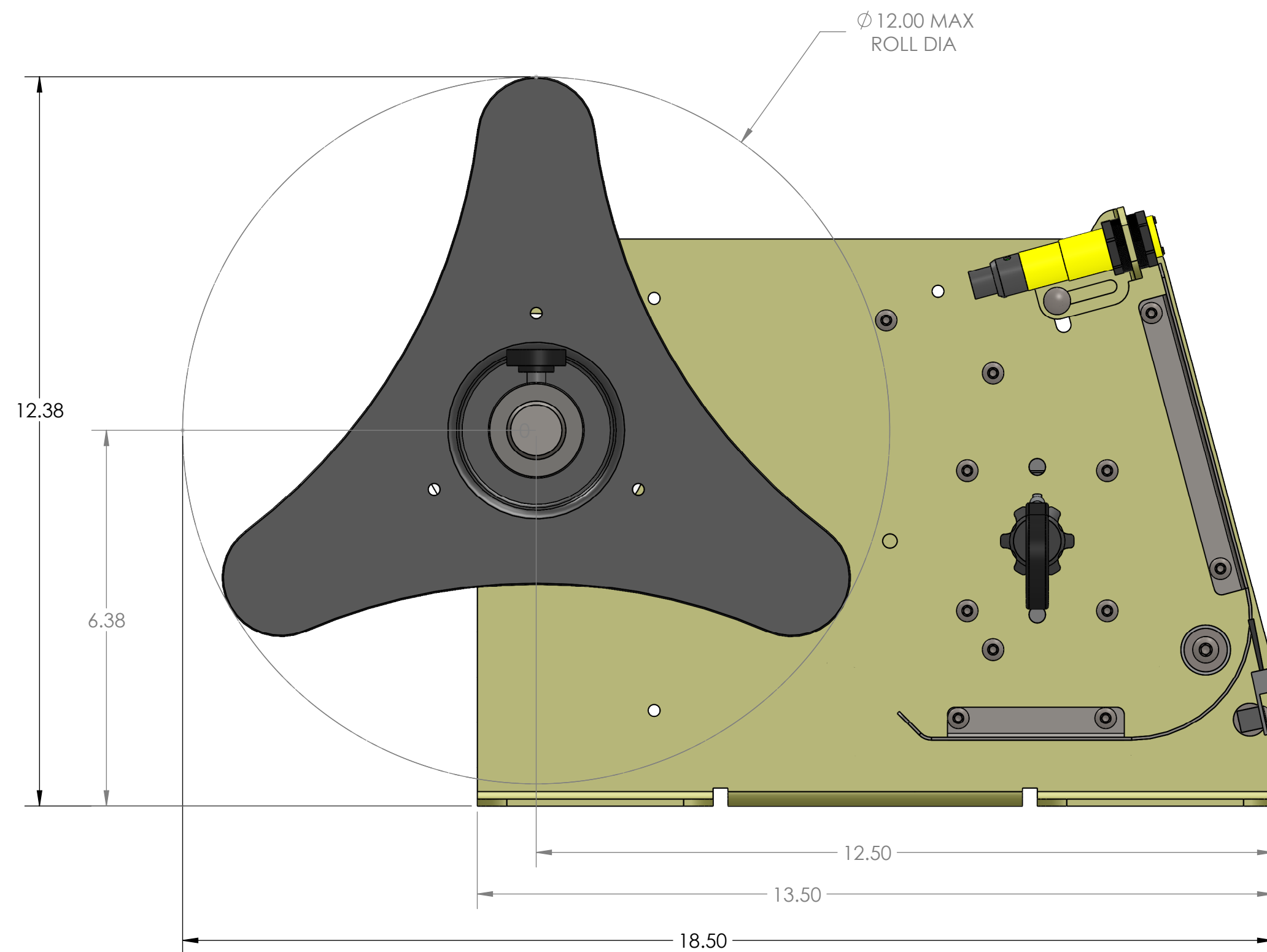
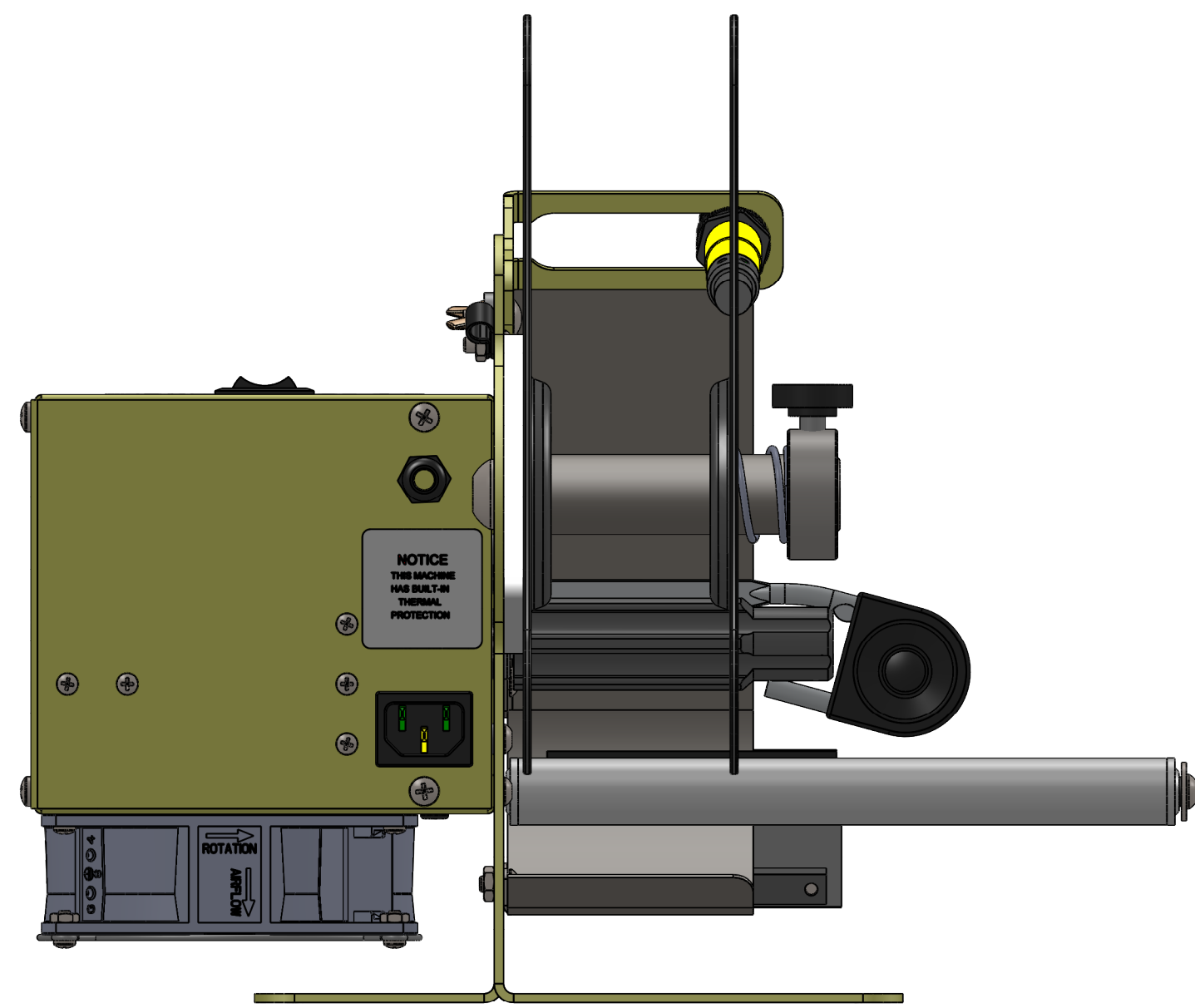
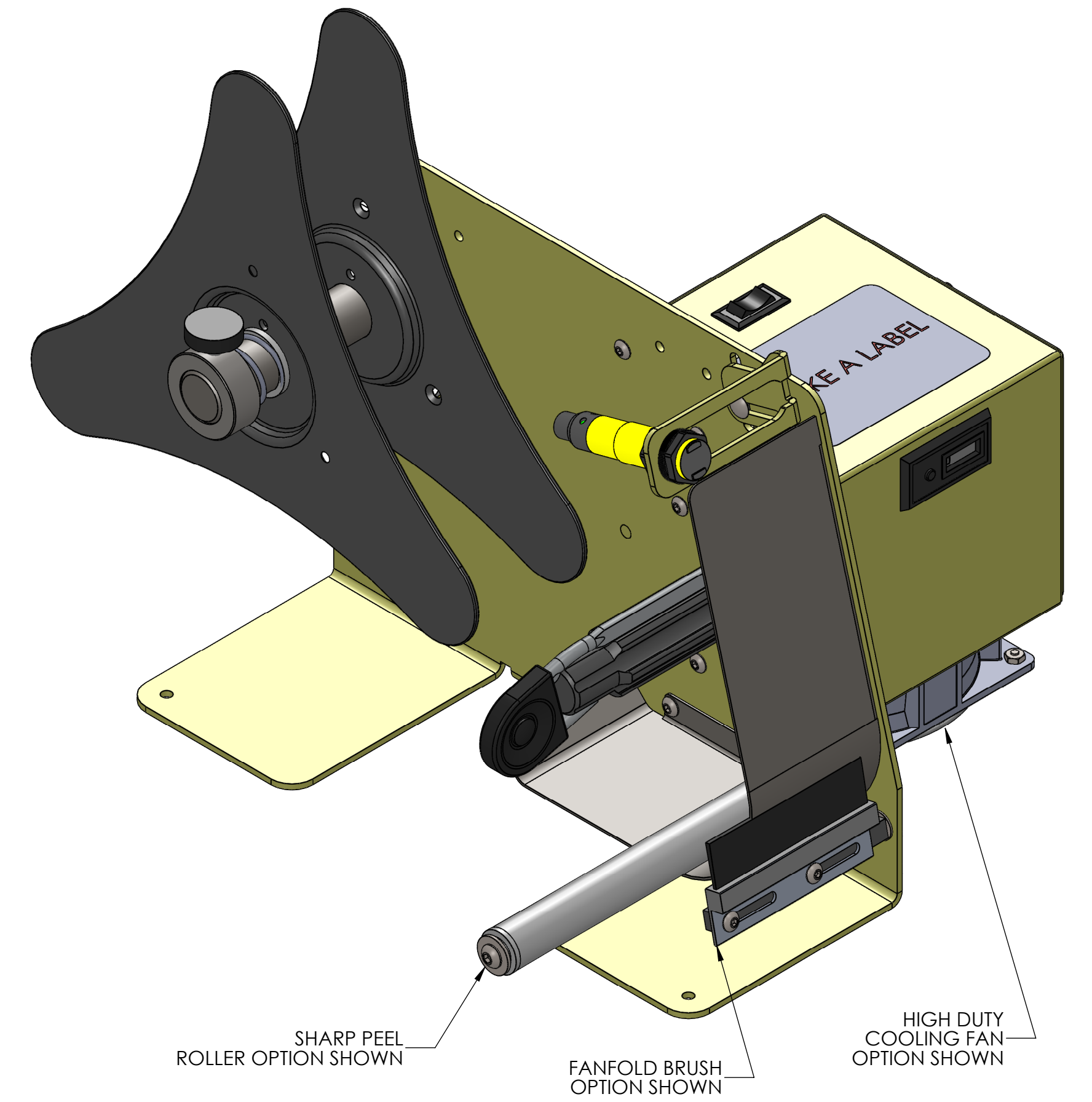
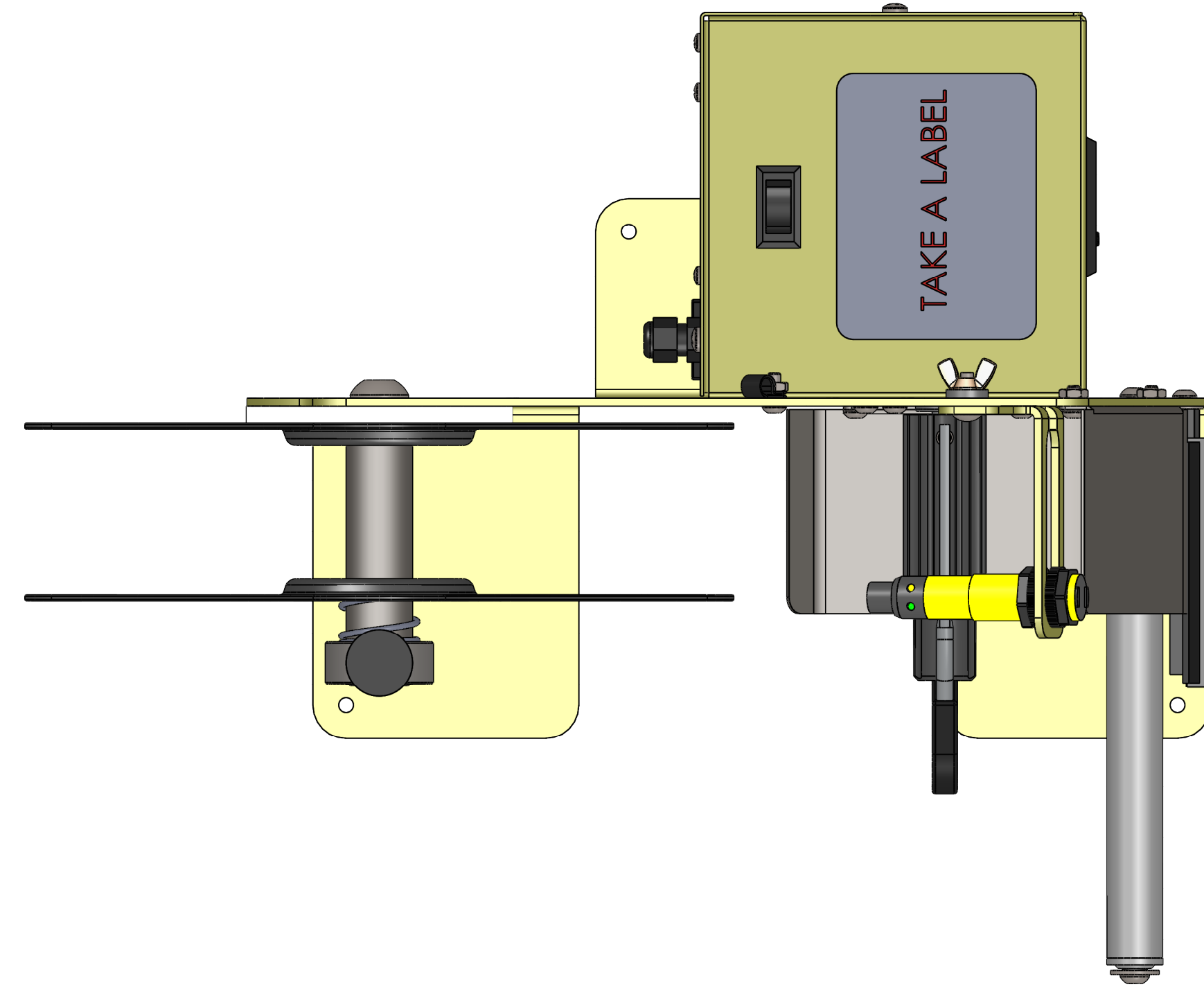
GENERAL SPECIFICATIONS: MODEL 250:

COUNTRY OF ORIGIN: USA

SIZE (APPROX): 11.89W X 132.38H X 18.50D

SHIPPING WEIGHT: 22 LBS (10 KG)

ELECTRICAL: 110/120VAC, 50/60HZ, 4 AMP FUSE



PROPRIETARY AND CONFIDENTIAL
THE INFORMATION CONTAINED IN THIS DRAWING IS THE SOLE PROPERTY OF TAKE A LABEL, INC.
ANY REPRODUCTION IN PART OR AS A WHOLE WITHOUT THE WRITTEN PERMISSION OF TAKE A LABEL, INC. IS PROHIBITED.

UNLESS OTHERWISE SPECIFIED:		NAME	DATE	TAKE A LABEL, INC.	
DIMENSIONS ARE IN INCHES		RJS	8/31/18	NUNICA, MI WWW.TAKE-A-LABEL.COM	
TOLERANCES:		TITLE:			
FRACTIONAL ±1/32		DRAWN			
ANGULAR: MACH ±0.1 BEND ±0.5		CHECKED			
TWO PLACE DECIMAL ±0.015		ENG APPR:			
THREE PLACE DECIMAL ±0.005		MFG APPR:			
INTERPRET GEOMETRIC TOLERANCING PER:		G.A.			
MATERIAL		COMMENTS:			
REVISION #	DETAIL	FINISH			
APPLICATION					

SIZE DWG. NO. REV
D TAL 250 Label dispenser
 outline only without
 microswitch option
 SCALE: 1:2 SHEET 1 OF 1